



# Strategy Europe 2020

Smart growth

Sustainable growth

Inclusive growth

Economy based on knowledge and innovation

More resource efficient, greener and more competitive economy

High-employment economy delivering economic, social and territorial cohesion

## Strategy Podkarpacie 2020 / „smart specialisations”



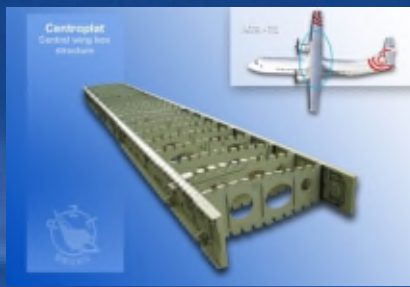
ICT / Informatyka Podkarpacka

**KLASTERit**

**FDGS**  
**PWRzeszow**



**Blades**  
**Avio Polska**



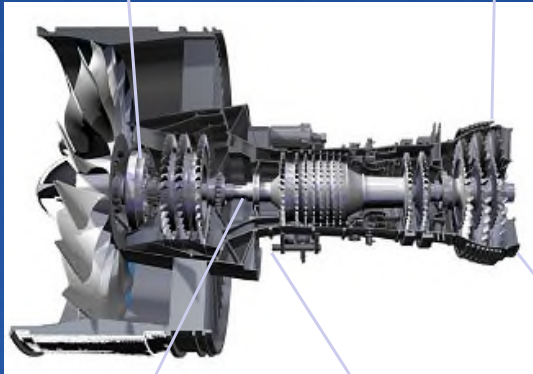
**Wing structure**  
**PZL Świdnik Agusta Westland**



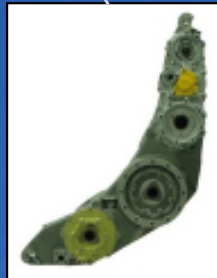
**APU**  
**PWAP**  
**Rzeszow**



**Landing gears**  
**Goodrich**  
**Polska**



**Shafts**  
**PW Kalisz**



**Gear boxes**  
**Hispano Suiza**  
**Polska**



**Turbine**  
**modules**  
**MTU Polska**



**F 100 engines assembled at PW Rzeszow**  
**Landing gears Goodrich Polska**



# POLISH AEROSPACE INDUSTRY TRANSFORMATION



Restructuring

Privatisation

Technology

R+D



No technical data



# AVIATION VALLEY



	2003	2015
Members	18	136
Employment	9 000	23 000
Sales	0,2 B\$	2 B\$
Investment		2 B\$

Long term business environment

- Skills / education / work ethics
- Competitive cost structure
- Local supply chain
- Funding availability

# GENERAL ASSEMBLY



Capacity increase

New products

SME

R+D

Valley of industry

**Aviation Valley**

University for children

Technical education

Center of Science

Valley of education

Valley of start ups

Start up community

Akcelerators

Technology incubation



# FACTORIES OF AVIATION VALLEY



Technology Park Aeropolis



Extension of MTU Poland



Robotic line at PWR

# SME / SUPPLY CHAIN



Forging Stalowa Wola



Bushing - Ultratech



Landing Gear - Goodrich Krosno



Waldrex – Polish capital



Mc Braida – English capital



Vac Aero – Canadian capital

# VALLEY OF EDUCATION



Universities



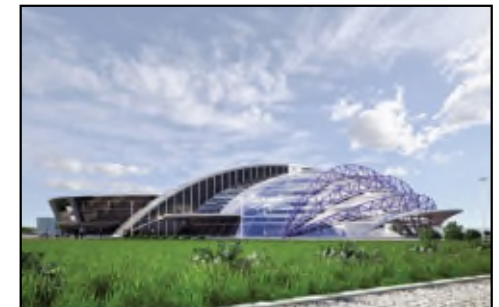
High schools / CEKSO



University for children



Interactive education



# RESEARCH AND DEVELOPMENT



Research and Development Center of PWR



Nanomaterial Laboratory  
University of Rzeszów



Material Laboratory  
Technical University of Rzeszów



## Sustainable tourism

Active tourism  
Village tourism  
Religion tourism  
Business tourism  
Heritage tourism  
Recreation

## Health

Medical clinics  
Health recovery  
Leisure, wellness  
SPA  
Older people care  
Organic food

## Eco technology

Green technology  
Green energy  
Eco-buildings  
Technology for  
tourism  
Recycling

# WORKING TOGETHER

